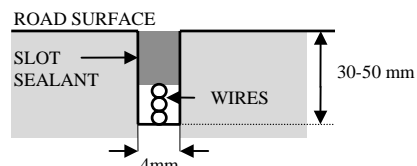
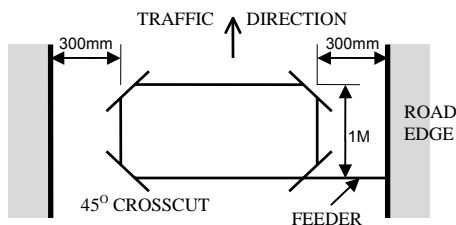


RELAY FUNCTIONALITY:

RELAYS (PRESENCE OR PULSE)		VEHICLE PRESENT	NO VEHICLE	LOOP FAULTY	NO POWER
PRESENCE RELAY	N/O	CLOSED	OPEN	CLOSED	CLOSED
	N/C	OPEN	CLOSED	OPEN	OPEN
PULSE RELAY	N/O	PULSE CLOSED	OPEN	OPEN	OPEN
	N/C	PULSE OPEN	CLOSED	CLOSED	CLOSED

INSTALLATION GUIDE:

- The detector should be installed in a waterproof housing as close to the loop as possible.
- The loop and feeder should be made from insulated copper wire with a minimum cross-sectional area of 1.5mm². The feeder should be twisted with at least 20 turns per metre. Joints in the wire are not recommended and must be soldered and made waterproof. Faulty joints could lead to incorrect operation of the detector. Feeders which may pick up electrical noise should use screened cable, with the screen earthed at the detector.
- The loop should be either square or rectangular in shape with a minimum distance of 1 metre between opposite sides. Normally 3 turns of wire are used in the loop. Large loops with a circumference of greater than 10 metres should use 2 turns while small loops with a circumference of less than 6 metres should use 4 turns. When two loops are used in close proximity to each other it is recommended that 3 turns are used in one and 4 turns in the other to prevent cross-talk.
- Cross-talk is a term used to describe the interference between two adjacent loops. To avoid incorrect operation of the detector, the loops should be at least 2 metres apart and on different frequency settings.
- For loop installation, slots should be cut in the road using a masonry cutting tool. A 45° cut should be made across the corners to prevent damage to the wire on the corners. The slot should be about 4mm wide and 30mm to 50mm deep. Remember to extend the slot from one of the corners to the road-side to accommodate the feeder.
- Best results are obtained when a single length of wire is used with no joints. This may be achieved by running the wire from the detector to the loop, around the loop for 3 turns and then back to the detector. The feeder portion of the wire is then twisted. Remember that twisting the feeder will shorten its length, so ensure a long enough feeder wire is used.
- After the loop and feeder wires have been placed in the slot, the slot is filled with an epoxy compound or bitumen filler.



LD200 SERIES VEHICLE LOOP DETECTOR

The LD200 is a dual channel inductive loop detector. The use of microprocessor and surface mount technology enables a large number of functions to be incorporated into a small package. The LD200 is compatible with most dual channel detectors on the market and is easy to set-up and install.

Typical applications in the parking and access control environments are safety loops, arming loops and entry or exit loops as well as direction logic.

Standard features of the detector are :

- Reset Switch.**
 Pressing the reset switch enables the detector to be manually reset during commissioning and testing. This results in the detector re-tuning the sensing loop and becoming ready for vehicle detection.
- Switch selectable Sensitivity.**
 The detect sensitivity is the minimum change in inductance required to produce a detect output. (%ΔL/L)
 Eight sensitivity settings are available on the switches to allow flexibility in configuration.

1	High	-	0.01%	5	-	0.2%
2		-	0.02%	6	-	0.5%
3		-	0.05%	7	-	1%
4		-	0.1%	8	Low	2%
- Switch selectable Frequency.**
 The frequency of the loop is determined by the inductance of the loop and the frequency switch setting. If the frequency switch is on, the frequency is reduced. It may be necessary to change the frequency to prevent cross-talk between adjacent loops.
- Selectable Extend Time.**
 When switched on this feature extends the outputs for 2 Seconds.
- Pulse Relay Selection.**
 The detect relay may be configured for a pulse output, and to energise on detection of a vehicle or when the vehicle leaves the loop.
- Selectable N/O or N/C relay output.**
 Internal jumpers enable the output relay contacts to be configured for normally open or normally closed contacts.
- Direction Logic.**
 This feature enables the detector to give a pulse output on relay1 for a vehicle travelling from loop1 to loop2 and a pulse output on relay2 for a vehicle travelling from loop2 to loop1. To enable this feature switches 2 and 4 must be on.
- Selectable Pulse Time.**
 This feature sets the length of time that the pulse relay will be energised for. 1 Second or 0.2 Second.
- Power Indicator.**
 This LED Indicator illuminates when power is present.
- Detect Indicator.**
 This LED Indicator is illuminated when there is a vehicle over the loop or the loop is faulty. This LED can also be used to determine the loop frequency. On reset, count the number of times the LED flashes. Multiply this number by 10KHz. For example: if the LED flashes 6 times, then the loop frequency is between 60KHz and 70KHz.
- Loop Fault Indicator.**
 This LED Indicator is illuminated when the loop is either open circuit or short circuit and is used to give a visual indication of a faulty loop.

TECHNICAL DATA

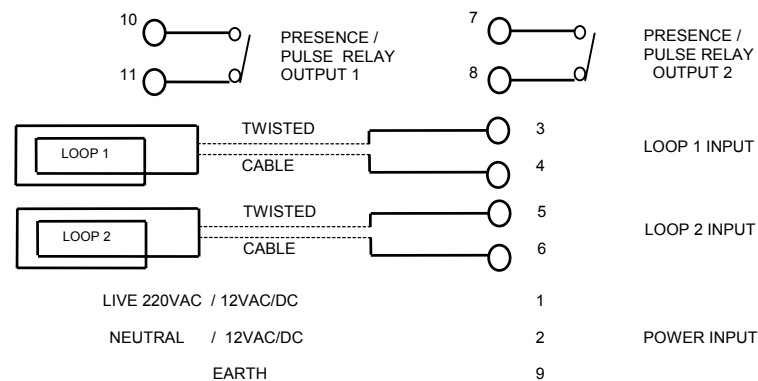
- POWER REQUIREMENT:**
 - LD200** 200 - 260VAC 50Hz 1.5VA
 - LD201** 100 - 120VAC 60Hz 1.5VA
 - LD202** 11 - 26VAC/DC 50/60Hz 95mA max.
- PRESENCE/PULSE RELAY :** 0.5A/220VAC.
- RESPONSE TIME:** Approximately 120ms after vehicle enters loop.
- INDICATOR:** LED indicators show: Power ,Detect state and Loop Fault.
- DETECTOR TUNING RANGE:** 15 - 1500 uH.
- PROTECTION:** Loop isolation transformer with lightning protection.
- CONNECTOR:** 11 Pin Connector on rear of unit.
- DIMENSIONS:** 80mm (height) X 40mm (width) X 79mm (Depth excl. connector).

SWITCH SETTINGS:

SWITCH SETTINGS			
No.	FUNCTION	ON	OFF
10	EXTEND TIME	2SECS	OFF
7,8,9	SENS 0.02%	-	S7/S8/S9
7,8,9	SENS 0.01%	S9	S7/S8
7,8,9	SENS 0.05%	S8	S7/S9
7,8,9	SENS 0.1%	S8/S9	S7
7,8,9	SENS 0.2%	S7	S8/S9
7,8,9	SENS 0.5%	S7/S9	S8
7,8,9	SENS 1%	S7/S8	S9
7,8,9	SENS 2%	S7/S8/S9	-
6	FREQUENCY	LOW	HI
5	MODE CH1	PULS	PRES
4	MODE CH1	UNDET	DET
3	MODE CH2	PULS	PRES
2	MODE CH2	UNDET	DET
1	PULSE TIME	1 SEC	0.2SEC

DIAGNOSTICS:

SYMPTOM	POSSIBLE CAUSE	SOLUTION
The POWER LED is not on.	No power supply voltage on the input.	Check that the power supply is correctly wired to the detector. (PINS 1 and 2)
The DETECT LED flashes erratically.	There may be a poor connection in the loop or loop feeder. The detector may be experiencing crosstalk with the loop of an adjacent detector.	Check all wiring. Tighten screw terminals. Check for broken wires. Try changing frequencies using the frequency switch. Put the detector with the larger loop onto low frequency and the detector with the smaller loop onto high frequency.
The DETECT LED randomly stays on.	Faulty loop or loop feeder wiring. Movement of the loop in the ground.	Check the wiring. Tighten screw terminals. Check for pinched or bent wires. Is the feeder wire twisted? Check for cracks in the road surface near the loop.
The LOOP FAULT LED is flashing.	The loop inductance is too small or the loop is short circuit.	Check that there is no short circuit on the loop feeder wiring or the loop. If there is no short circuit then the inductance is too small and more turns of wire should be added to the loop.
The LOOP FAULT LED is permanently illuminated.	The loop inductance is too large or the loop is open circuit.	Check that there is electrical continuity on the loop. This can be done using a multimeter on the ohms range ($< 5 \Omega$). If the loop inductance is too large then try reducing the number of turns.



WIRING DIAGRAM: